
LOW VOLTAGE DETECTOR WITH OUTPUT DELAY

NO. EA-087-070112

OUTLINE

The R3112x Series are CMOS-based voltage detector ICs with high detector threshold accuracy and ultra-low supply current, which can be operated at an extremely low voltage and is used for system reset as an example.

Each of these ICs consists of a voltage reference unit, a comparator, resistor net for detector threshold setting, an output driver, a hysteresis circuit, and an output delay circuit. The detector threshold is fixed with high accuracy internally and does not require any adjustment. Two output types, Nch open drain type and CMOS type are available.

Three types of packages, SOT-23-5, small SC-82AB, and ultra-small SON1612-6 can be selected so that high density mounting on boards is possible.

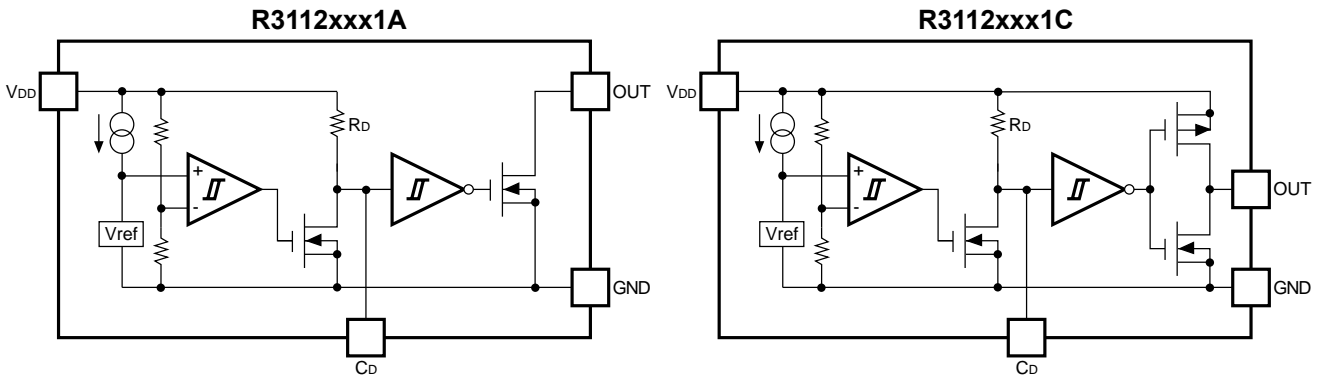
FEATURES

- Built-in Output Delay Circuit..... Typ. 100ms with an external capacitor: 0.022 μ F
- Supply Current Typ. 0.5 μ A (R3112x271A/C, $V_{DD}=2.6V$)
- Operating Voltage 0.7 to 6.0V($T_{opt}=25^{\circ}C$)
- Detector Threshold..... 0.9V to 5.0V
- High Accuracy Detector Threshold $\pm 2.0\%$
- Low Temperature-Drift Coefficient of Detector Threshold ...Typ. $\pm 100ppm/^{\circ}C$
- Two Output Types Nch Open Drain and CMOS
- Packages SOT-23-5(Mini-mold),SC-82AB, SON1612-6

APPLICATIONS

- CPU and Logic Circuit Reset
- Battery Checker
- Window Comparator
- Wave Shaping Circuit
- Battery Back-up Circuit
- Power Failure Detector

BLOCK DIAGRAMS



SELECTION GUIDE

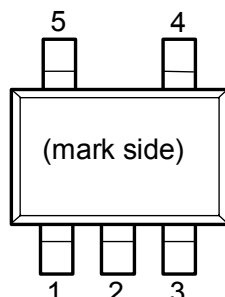
The package type, the detector threshold, the output type, and the taping type of R3112x Series can be designated at the users' request by specifying the part number as follows;

R3112xxx1x-xx-x ← Part Number
 ↑ ↑ ↑ ↑ ↑
 a b c d e

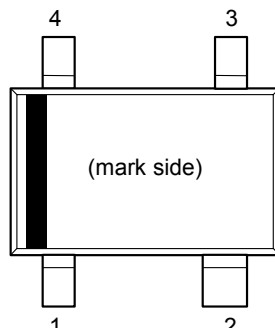
Code	Contents
a	Designation of Package Type; Q: SC-82AB N: SOT-23-5 D: SON1612-6
b	Setting Detector Threshold ($-V_{DET}$); Stepwise setting with a step of 0.1V in the range of 0.9V to 5.0V is possible.
c	Designation of Output Type; A: Nch Open Drain C: CMOS
d	Designation of Packing or Taping Type; Ex. SOT-23-5, SC-82AB, SON1612-6: TR is prescribed as standard directions. (Refer to Taping Specifications)
e	Designation of Composition of pin plating; -F: Lead free plating (SOT-23-5, SC-82AB, SON1612-6)

PIN CONFIGURATION

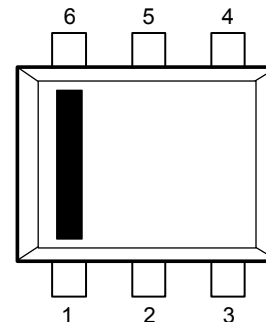
● SOT-23-5



● SC82-AB



● SON1612-6



PIN DESCRIPTION

● SOT-23-5

Pin No.	Symbol	Description
1	OUT	Output Pin (Output "L" at detector threshold, Output "H" at released voltage)
2	V _{DD}	Voltage Supply Pin
3	GND	Ground Pin
4	NC	No Connection
5	C _D	Pin for External Capacitor (for setting output delay)

● SC-82AB

Pin No.	Symbol	Description
1	V _{DD}	Voltage Supply Pin
2	GND	Ground Pin
3	C _D	Pin for External Capacitor (for setting output delay)
4	OUT	Output Pin (Output "L" at detector threshold, Output "H" at released voltage)

● SON1612-6

Pin No.	Symbol	Description
1	OUT	Output Pin (Output "L" at detector threshold, Output "H" at released voltage)
2	GND	Ground Pin
3	C _D	Pin for External Capacitor (for setting output delay)
4	NC	No Connection
5	GND	Ground Pin
6	V _{DD}	Voltage Supply Pin

ABSOLUTE MAXIMUM RATINGS

Symbol	Item	Rating	Unit
V_{DD}	Supply Voltage	6.5	V
V_{OUT1}	Output Voltage (CMOS)	$V_{SS}-0.3$ to $V_{DD}+0.3$	V
V_{OUT2}	Output Voltage (Nch)	$V_{SS}-0.3$ to 6.5	V
I_{OUT}	Output Current	20	mA
P_D	Power Dissipation (SOT-23-5)*	420	mW
	Power Dissipation (SC-82AB)*	380	
	Power Dissipation (SON1612-6)*	500	
T_{opt}	Operating Temperature Range	-40 to 85	°C
T_{stg}	Storage Temperature Range	-55 to 125	°C
T_{solder}	Lead temperature (Soldering)	260°C, 10s	

*) For Power Dissipation, please refer to PACKAGE INFORMATION to be described.

ABSOLUTE MAXIMUM RATINGS

Absolute Maximum ratings are threshold limit values that must not be exceeded ever for an instant under any conditions. Moreover, such values for any two items must not be reached simultaneously. Operation above these absolute maximum ratings may cause degradation or permanent damage to the device. These are stress ratings only and do not necessarily imply functional operation below these limits.

ELECTRICAL CHARACTERISTICS

• R3112x091A/C

 $T_{opt}=25^{\circ}\text{C}$

Symbol	Item	Conditions	Min.	Typ.	Max.	Unit
$-V_{DET}$	Detector Threshold		0.882	0.900	0.918	V
V_{HYS}	Detector Threshold Hysteresis		0.027	0.045	0.063	V
I_{SS}	Supply Current	$V_{DD}=0.80\text{V}$		0.6	2.0	μA
		$V_{DD}=1.90\text{V}$		0.5	2.0	
V_{DDH}	Maximum Operating Voltage				6.0	V
V_{DDL}	Minimum Operating Voltage*Note1	$T_{opt}=25^{\circ}\text{C}$			0.70	V
		$-40^{\circ}\text{C} \leq T_{opt} \leq 85^{\circ}\text{C}$			0.80	
I_{OUT}	Output Current (Driver Output Pin)	Nch $V_{DS}=0.05\text{V}, V_{DD}=0.70\text{V}$	10	120		μA
		$V_{DS}=0.50\text{V}, V_{DD}=0.85\text{V}$	0.05	0.90		mA
		Pch $V_{DS}=-2.1\text{V}, V_{DD}=4.5\text{V}$	1.0	3.5		mA
V_{TCD}	CD pin Threshold Voltage	$V_{DD}=0.99\text{V}$	0.297	0.495	0.693	V
I_{CD}	CD pin Output Current	$V_{DS}=0.10\text{V}, V_{DD}=0.70\text{V}$	2	70		μA
		$V_{DS}=0.50\text{V}, V_{DD}=0.85\text{V}$	10	400		
R_D	Output Delay Resistance		3.25	6.50	13.00	$\text{M}\Omega$
$\frac{\Delta-V_{DET}}{\Delta T_{opt}}$	Detector Threshold Temperature Coefficient	$-40^{\circ}\text{C} \leq T_{opt} \leq 85^{\circ}\text{C}$		± 100		ppm/ $^{\circ}\text{C}$

R3112x

• R3112x271A/CT_{opt}=25°C

Symbol	Item	Conditions	Min.	Typ.	Max.	Unit
-V _{DET}	Detector Threshold		2.646	2.700	2.754	V
V _{HYS}	Detector Threshold Hysteresis		0.081		0.189	V
I _{SS}	Supply Current	V _{DD} =2.60V		1.0	3.0	μA
		V _{DD} =3.70V		0.5	2.5	
V _{DDH}	Maximum Operating Voltage				6.0	V
V _{DDL}	Minimum Operating Voltage* ^{Note1}	T _{opt} =25°C			0.7	V
		-40°C ≤ T _{opt} ≤ 85°C			0.8	
I _{OUT}	Output Current (Driver Output Pin)	Nch V _{DS} =0.05V, V _{DD} =0.70V	10	120		μA
		V _{DS} =0.50V, V _{DD} =1.50V	1.0	3.0		mA
		Pch V _{DS} =-2.1V, V _{DD} =4.5V	1.0	3.5		mA
V _{TCD}	CD pin Threshold Voltage	V _{DD} =2.97V	0.891	1.485	2.079	V
I _{CD}	CD pin Output Current	V _{DS} =0.1V, V _{DD} =0.7V	2	70		μA
		V _{DS} =0.5V, V _{DD} =1.5V	200	500		
R _D	Output Delay Resistance		3.25	6.50	13.00	MΩ
Δ-V _{DET} / ΔT _{opt}	Detector Threshold Temperature Coefficient	-40°C ≤ T _{opt} ≤ 85°C		±100		ppm/ °C

• R3112x501A/C

T_{opt}=25°C

Symbol	Item	Conditions	Min.	Typ.	Max.	Unit
-V _{DET}	Detector Threshold		4.900	5.000	5.100	V
V _{HYS}	Detector Threshold Hysteresis		0.150	0.250	0.350	V
I _{SS}	Supply Current	V _{DD} =4.9V		1.5	3.0	μA
		V _{DD} =6.0V		0.6	2.5	
V _{DDH}	Maximum Operating Voltage				6.0	V
V _{DDL}	Minimum Operating Voltage ^{*Note1}	T _{opt} =25°C			0.7	V
		-40°C ≤ T _{opt} ≤ 85°C			0.8	
I _{OUT}	Output Current (Driver Output Pin)	Nch V _{DS} =0.05V, V _{DD} =0.70V	10	120		μA
		V _{DS} =0.50V, V _{DD} =1.50V	1.0	3.0		mA
		Pch V _{DS} =-2.1V, V _{DD} =6.0V	1.5	4.5		mA
V _{TCD}	CD pin Threshold Voltage	V _{DD} =5.50V	1.650	2.750	3.850	V
I _{CD}	CD pin Output Current	V _{DS} =0.1V, V _{DD} =0.7V	2	70		μA
		V _{DS} =0.5V, V _{DD} =1.5V	200	500		
R _D	Output Delay Resistance		3.25	6.50	13.00	MΩ
$\frac{\Delta-V_{DET}}{\Delta T_{opt}}$	Detector Threshold Temperature Coefficient	-40°C ≤ T _{opt} ≤ 85°C		±100		ppm/ °C

*Note1: Minimum Operating Voltage means the value of input voltage when output voltage maintains 0.1V or less. (In the case of Nch Open Drain Type, Output pin is pulled up with a resistance of 470kΩ to 5.0V.)

ELECTRICAL CHARACTERISTICS BY DETECTOR THRESHOLD

Product Code	Detector Threshold			Hysteresis Range			Supply Current 1			Supply Current 2			Output Current 1			Output Current 2			
	-V _{DET} [V]			V _{HYS} [V]			I _{SS1} [μ A]			I _{SS2} [μ A]			I _{OUT1} [mA]			I _{OUT2} [mA]			
	Min.	Typ.	Max.	Min.	Typ.	Max.	Condi- tions	Typ.	Max.	Condi- tions	Typ.	Max.	Condi- tions	Min.	Typ.	Condi- tions	Min.	Typ.	
R3112x091A/C	0.882	0.900	0.918	0.027	0.045	0.063	V _{DD} = -V _{DET} -0.1V	0.6	2.0	V _{DD} = -V _{DET} +0.1V	0.5	2.0	V _{DS} = 0.05V V _{DD} = 0.7V	0.01	0.12	Nch	V _{DS} = 0.5V V _{DD} = 1.5V	0.05	0.9
R3112x101A/C	0.980	1.000	1.020	0.030	0.050	0.070													
R3112x111A/C	1.078	1.100	1.122	0.033	0.055	0.077													
R3112x121A/C	1.176	1.200	1.224	0.036	0.060	0.084													
R3112x131A/C	1.274	1.300	1.326	0.039	0.065	0.091													
R3112x141A/C	1.372	1.400	1.428	0.042	0.070	0.098													
R3112x151A/C	1.470	1.500	1.530	0.045	0.075	0.105													
R3112x161A/C	1.568	1.600	1.632	0.048	0.080	0.112													
R3112x171A/C	1.666	1.700	1.734	0.051	0.085	0.119													
R3112x181A/C	1.764	1.800	1.836	0.054	0.090	0.126													
R3112x191A/C	1.862	1.900	1.938	0.057	0.095	0.133													
R3112x201A/C	1.960	2.000	2.040	0.060	0.100	0.140													
R3112x211A/C	2.058	2.100	2.142	0.063	0.105	0.147													
R3112x221A/C	2.156	2.200	2.244	0.066	0.110	0.154													
R3112x231A/C	2.254	2.300	2.346	0.069	0.115	0.161													
R3112x241A/C	2.352	2.400	2.448	0.072	0.120	0.168													
R3112x251A/C	2.450	2.500	2.550	0.075	0.125	0.175													
R3112x261A/C	2.548	2.600	2.652	0.078	0.130	0.182													
R3112x271A/C	2.646	2.700	2.754	0.081	0.135	0.189													
R3112x281A/C	2.744	2.800	2.856	0.084	0.140	0.196													
R3112x291A/C	2.842	2.900	2.958	0.087	0.145	0.203													
R3112x301A/C	2.940	3.000	3.060	0.090	0.150	0.210													
R3112x311A/C	3.038	3.100	3.162	0.093	0.155	0.217													
R3112x321A/C	3.136	3.200	3.264	0.096	0.160	0.224													
R3112x331A/C	3.234	3.300	3.366	0.099	0.165	0.231													
R3112x341A/C	3.332	3.400	3.468	0.102	0.170	0.238													
R3112x351A/C	3.430	3.500	3.570	0.105	0.175	0.245													
R3112x361A/C	3.528	3.600	3.672	0.108	0.180	0.252													
R3112x371A/C	3.626	3.700	3.774	0.111	0.185	0.259													
R3112x381A/C	3.724	3.800	3.876	0.114	0.190	0.266													
R3112x391A/C	3.822	3.900	3.978	0.117	0.195	0.273													
R3112x401A/C	3.920	4.000	4.080	0.120	0.200	0.280													
R3112x411A/C	4.018	4.100	4.182	0.123	0.205	0.287													
R3112x421A/C	4.116	4.200	4.284	0.126	0.210	0.294													
R3112x431A/C	4.214	4.300	4.386	0.129	0.215	0.301													
R3112x441A/C	4.312	4.400	4.488	0.132	0.220	0.308													
R3112x451A/C	4.410	4.500	4.590	0.135	0.225	0.315													
R3112x461A/C	4.508	4.600	4.692	0.138	0.230	0.322													
R3112x471A/C	4.606	4.700	4.794	0.141	0.235	0.329													
R3112x481A/C	4.704	4.800	4.896	0.144	0.240	0.336													
R3112x491A/C	4.802	4.900	4.998	0.147	0.245	0.343													
R3112x501A/C	4.900	5.000	5.100	0.150	0.250	0.350													

Output Current 3				Minimum Operating Voltage				CD pin Threshold Voltage				CD pin Output Current 1			CD pin Output Current 2			Resistance for Output Delay			Detector Threshold Temperature	
I _{OUT3} [mA]				V _{DDL} [V]				V _{TCO} [V]				I _{CD1} [μA]			I _{CD2} [μA]			R _D [MΩ]			Δ-V _{DET} / ΔT _{opt} [ppm/°C]	
Condition	Min.	Typ.		Condition	Max.	Condition	Max.	Condition	Min.	Typ.	Max.	Condition	Min.	Typ.	Condition	Min.	Typ.	Min.	Typ.	Max.	Condition	Typ.
Pch	V _{DS} = -21V V _{DD} = 4.5V	1.5	3.5	T _{opt} = 25°C	0.7	-40°C ≧ T _{opt} ≧ 85°C	0.8	V _{DD} = (V _{DET}) ×1.1V	0.297	0.495	0.693	V _{DS} = 0.1V V _{DD} = 0.7V	20	70	V _{DS} = 0.5V V _{DD} = 0.85V	10	400	3.25	6.5	13.0	-40°C ≧ T _{opt} ≧ 85°C	±100
									0.330	0.550	0.770											
									0.363	0.605	0.847											
									0.396	0.660	0.924				V _{DS} = 0.5V V _{DD} = 0.85V	50	450					
									0.429	0.715	1.001											
									0.462	0.770	1.078											
									0.495	0.825	1.155				V _{DS} = 0.5V V _{DD} = 1.5V	200	500					
									0.528	0.880	1.232											
									0.561	0.935	1.309											
									0.594	0.990	1.386											
									0.627	1.045	1.463											
									0.660	1.100	1.540											
									0.693	1.155	1.617											
									0.726	1.210	1.694											
									0.759	1.265	1.771											
	0.792	1.320	1.848																			
	0.825	1.375	1.925																			
	0.858	1.430	2.002																			
	0.891	1.485	2.079																			
	0.924	1.540	2.156																			
	0.957	1.595	2.233																			
	0.990	1.650	2.310																			
	1.023	1.705	2.387																			
	1.056	1.760	2.464																			
	1.089	1.815	2.541																			
	1.122	1.870	2.618																			
	1.155	1.925	2.695																			
	1.188	1.980	2.772																			
	1.221	2.035	2.849																			
	1.254	2.090	2.926																			
1.287	2.145	3.003																				
1.320	2.200	3.080																				
1.353	2.255	3.157																				
1.386	2.310	3.234																				
1.419	2.365	3.311																				
1.452	2.420	3.388																				
1.485	2.475	3.465																				
1.518	2.530	3.542																				
1.551	2.585	3.619																				
1.584	2.640	3.696																				
1.617	2.695	3.773																				
1.650	2.750	3.850																				

OPERATION

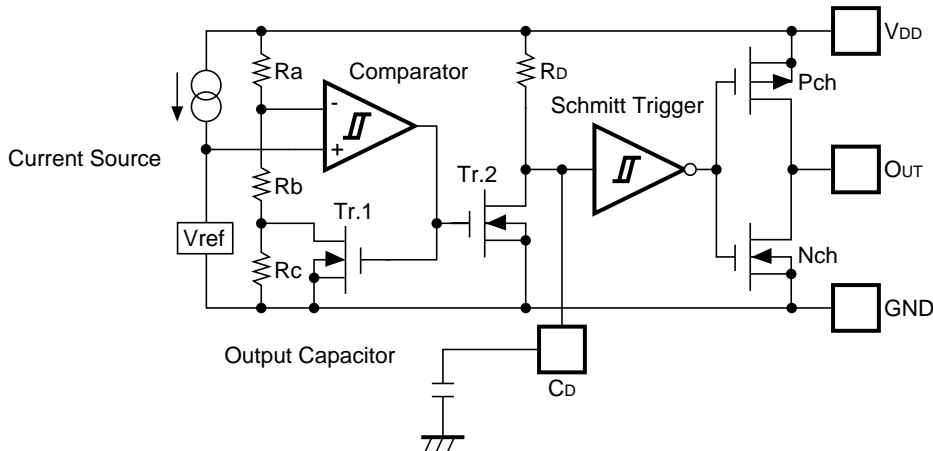


Fig. 1 Block Diagram with an external capacitor

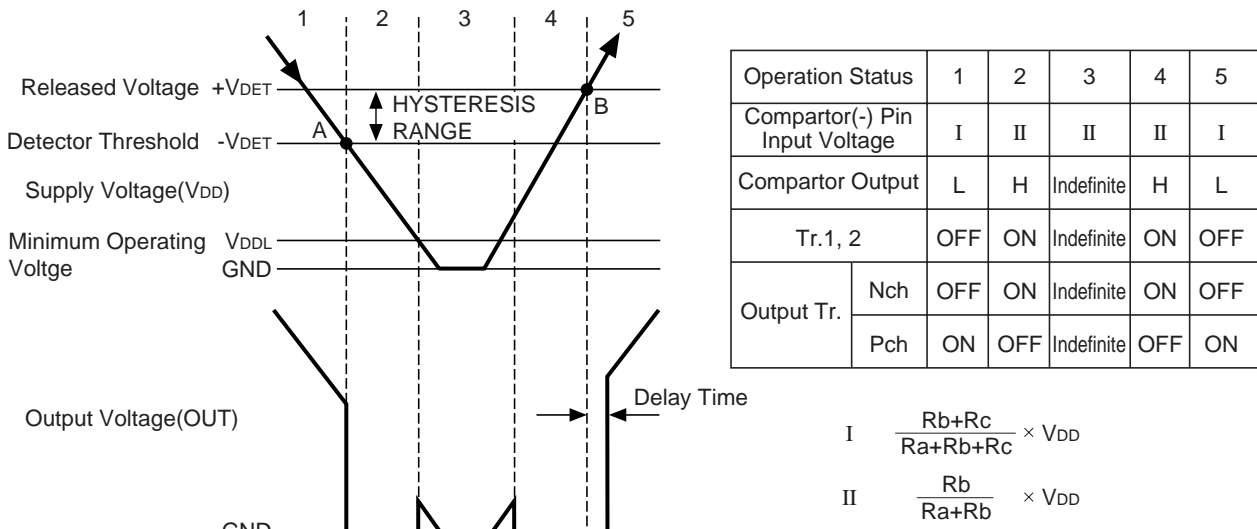
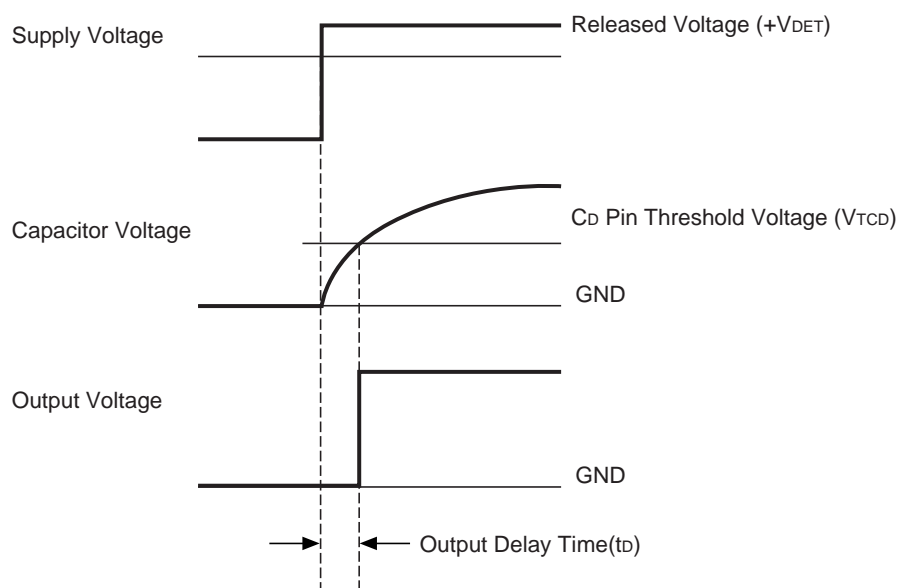


Fig. 2 Operation Diagram

1. Output voltage is equal to supply voltage. (As for Nch open drain type, equal to pull-up voltage.)
 2. When the supply voltage is down to the detector threshold voltage level(Point A), $V_{ref} \geq V_{DD} \times (R_b + R_c) / (R_a + R_b + R_c)$ is true, then output of the comparator is reversed from “L” to “H”, therefore output voltage becomes GND level.
 3. When the supply voltage is lower than minimum operating voltage, the operation of output transistor is indefinite. In the case of Nch open drain type, output voltage is equal to pull-up voltage.
 4. Output Voltage becomes GND level.
 5. When the supply voltage is higher than released voltage (Point B), $V_{ref} \leq V_{DD} \times R_b / (R_a + R_b)$ is true, then output of the comparator reaches the threshold level, and Output of Shmitt Trigger is reversed from “H” to “L”, then output voltage is equal to supply voltage. (As for Nch open drain type, equal to pull-up voltage.)
- *) The difference between released voltage and detector threshold voltage means hysteresis range voltage.

• Operation of Output Delay



When the supply voltage which is higher than released voltage is forced to V_{DD} pin, charge to an external capacitor starts, then capacitor voltage increases. Until the capacitor voltage reaches to C_D Pin threshold voltage, output voltage maintains "L". When the capacitor voltage becomes higher than C_D pin threshold voltage, output voltage is reversed from "L" to "H". Where, the time interval between the rising edge of supply voltage and output voltage reverse point means output delay time.

• Output Delay Time

Output Delay Time (t_D) can be calculated with the next formula.

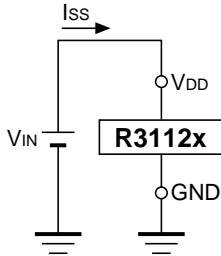
$$t_D = 0.69 \times R_D \times C_D (\text{s})$$

R_D is internal resistor and set at $6.5\text{M}\Omega$ (Typ.) typically. C_D (F) describes the capacitance value of an external capacitor. Therefore,

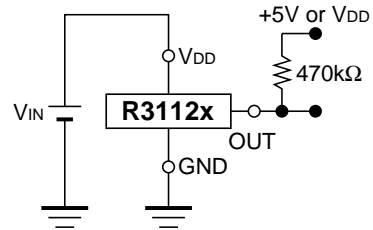
$$t_D = 0.69 \times 6.5 \times 10^6 \times C_D (\text{s})$$

TEST CIRCUITS

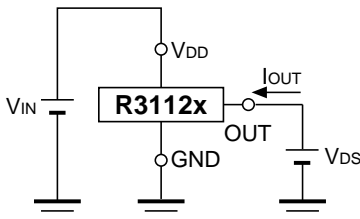
*Pull-up circuit is not necessary for CMOS Output type, or R3112xxxxC.



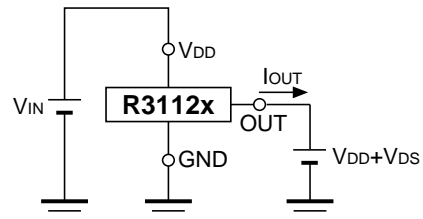
Supply Current Test Circuit



Detector Threshold Test Circuit

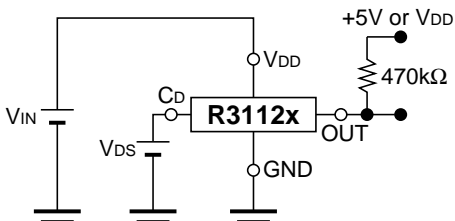


Nch Driver Output Current Test Circuit

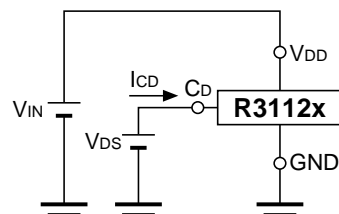


Pch Driver Output Current Test Circuit

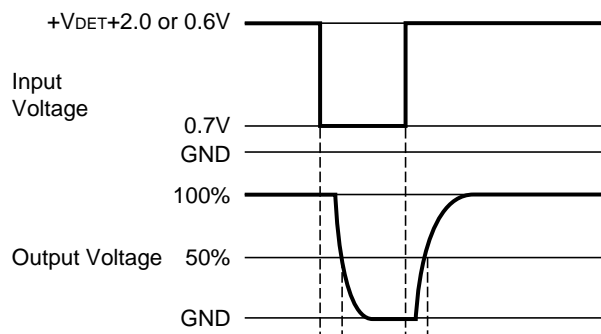
*Apply only to CMOS



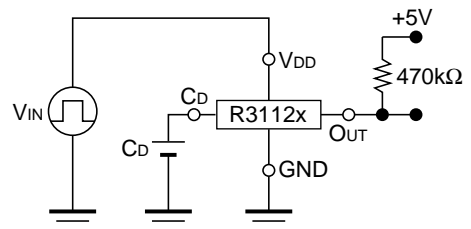
CD Pin Threshold Test Circuit



CD Pin Output Current Test Circuit

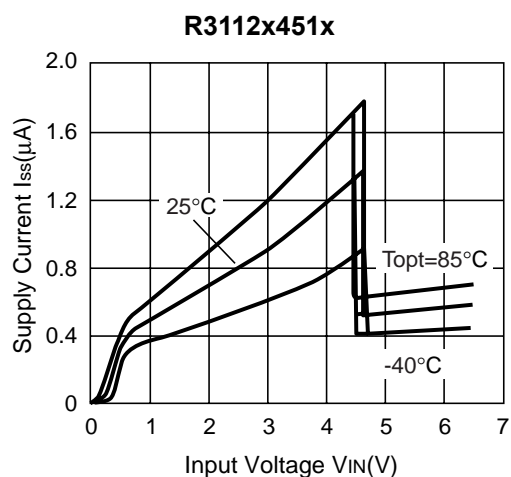
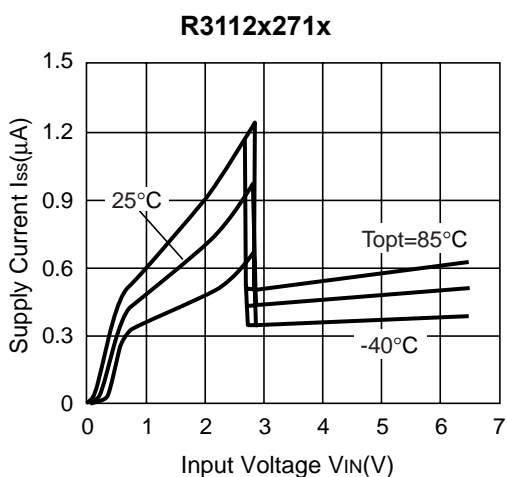
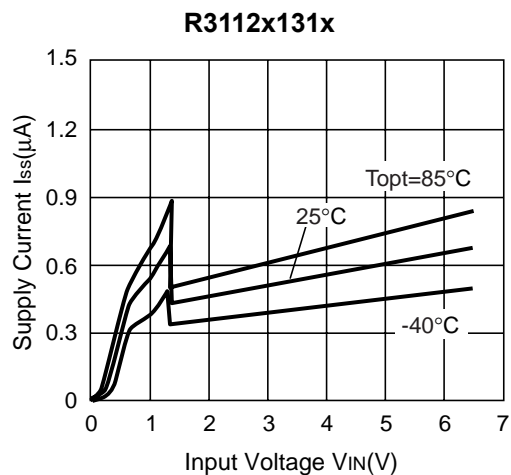
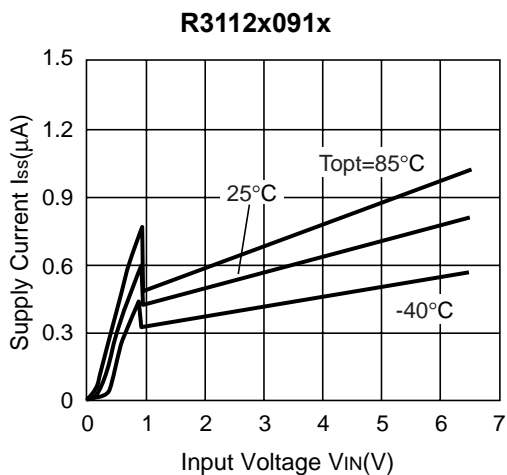


Output Delay Time Test Circuit

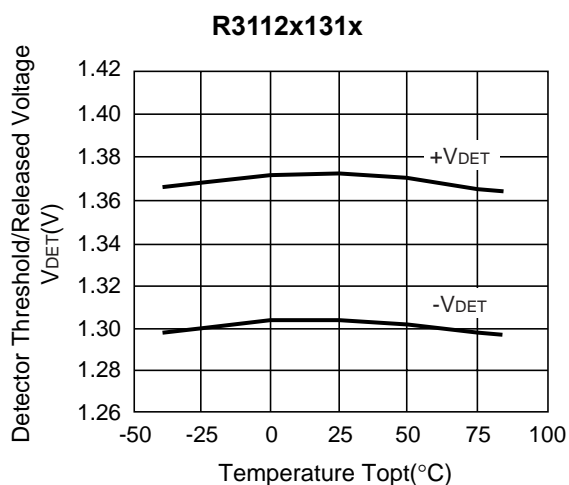
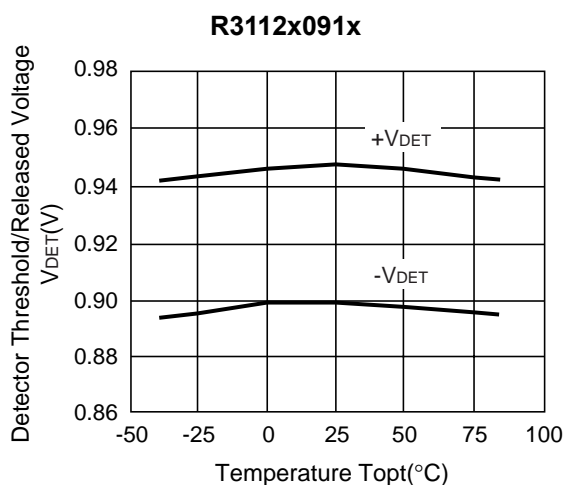


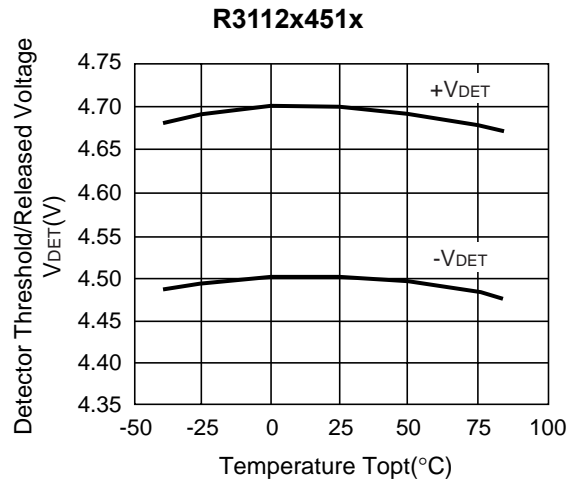
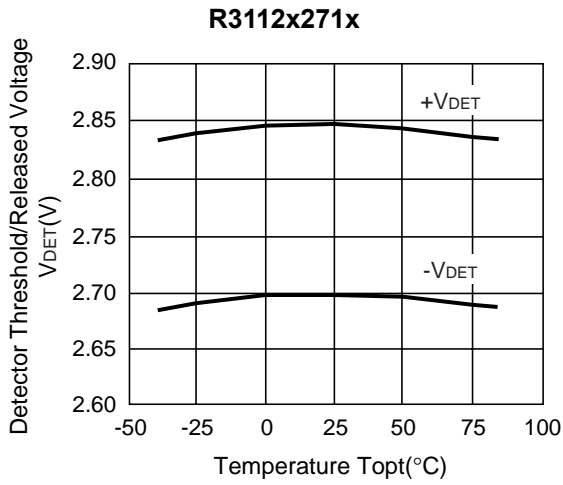
TYPICAL CHARACTERISTICS

1) Supply Current vs. Input Voltage

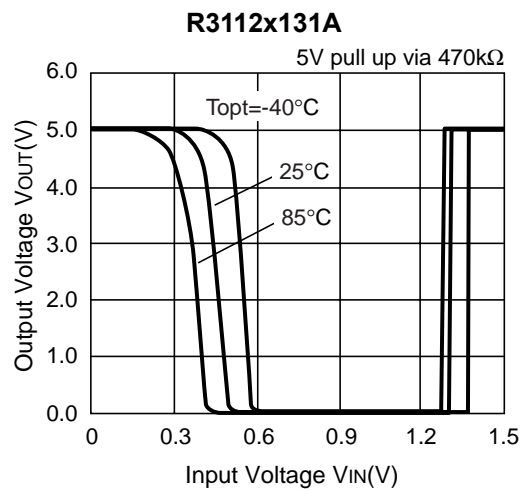
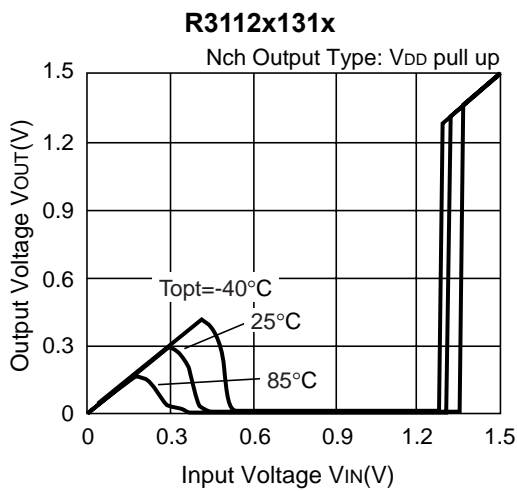
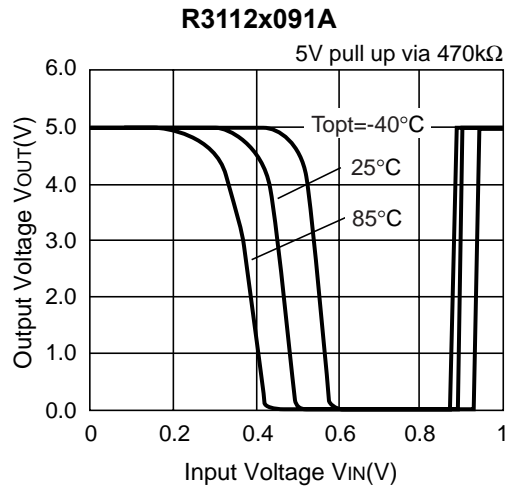
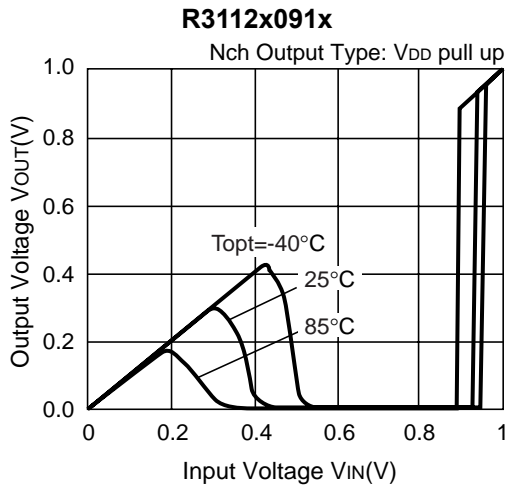


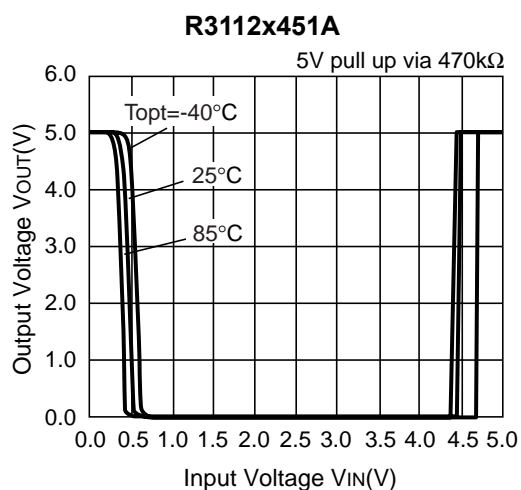
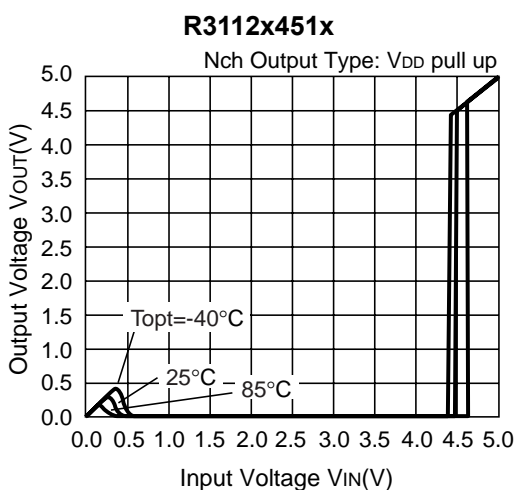
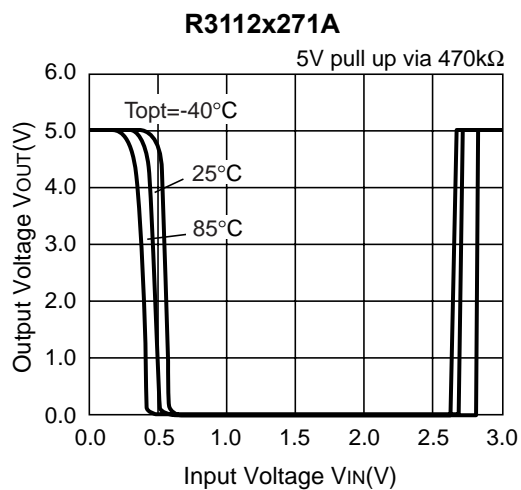
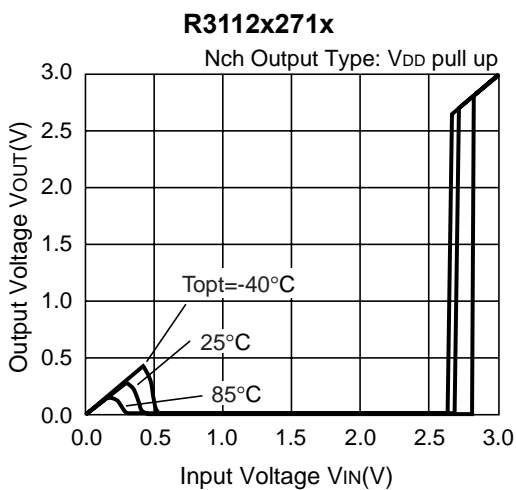
2) Detector Threshold vs. Temperature



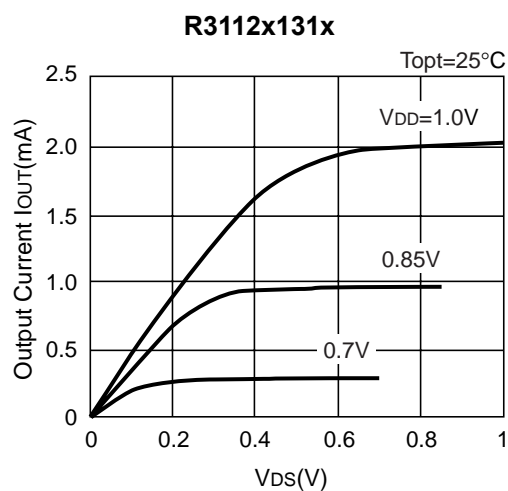
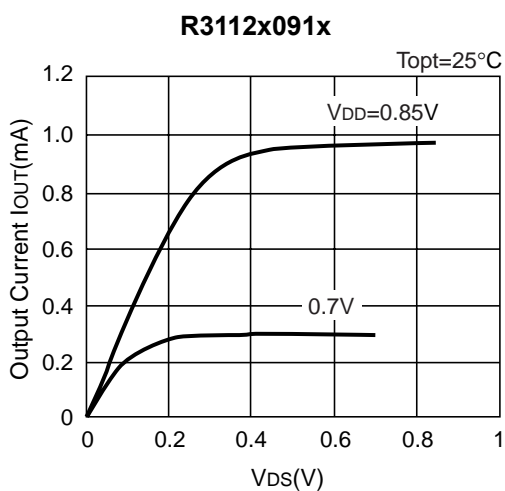


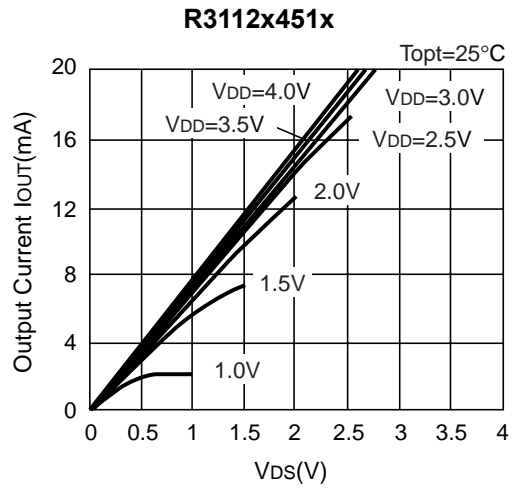
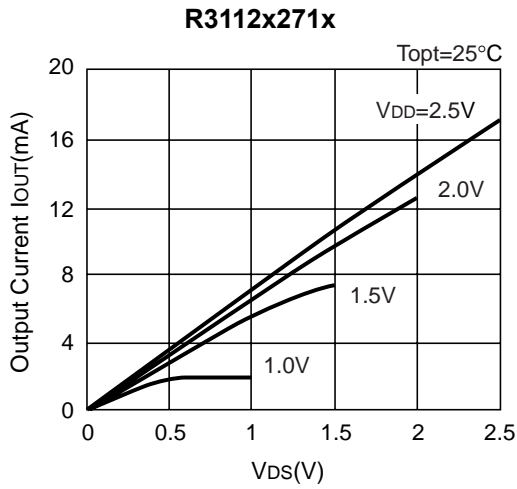
3) Output Voltage vs. Input Voltage



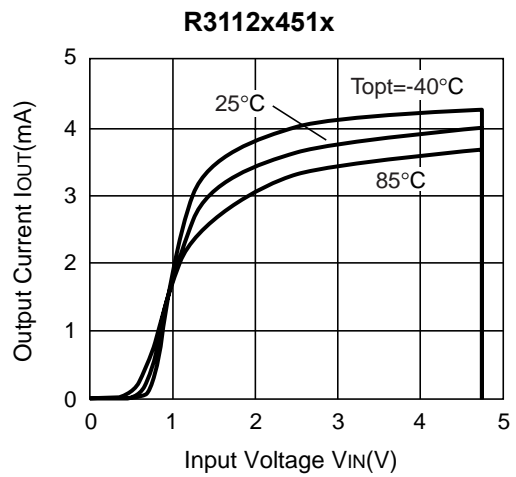
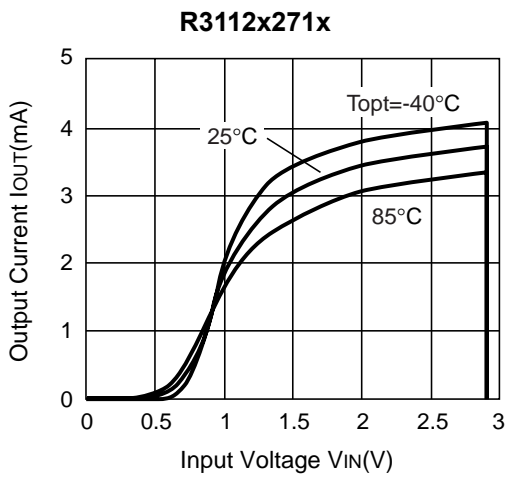
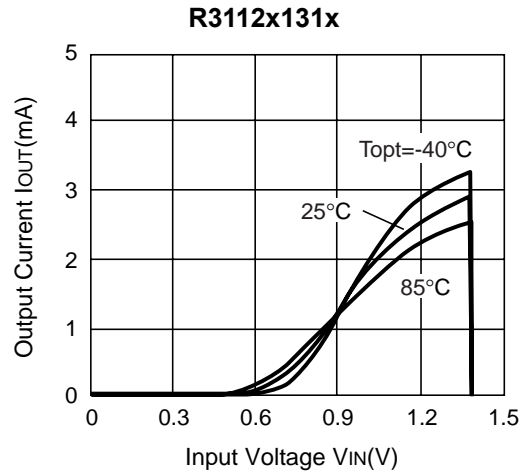
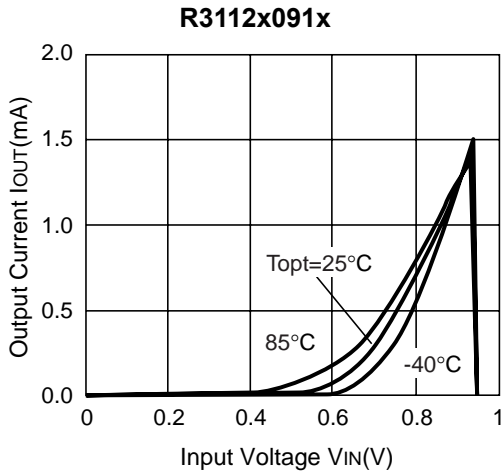


4) Nch Driver Output Current vs. V_{DS}

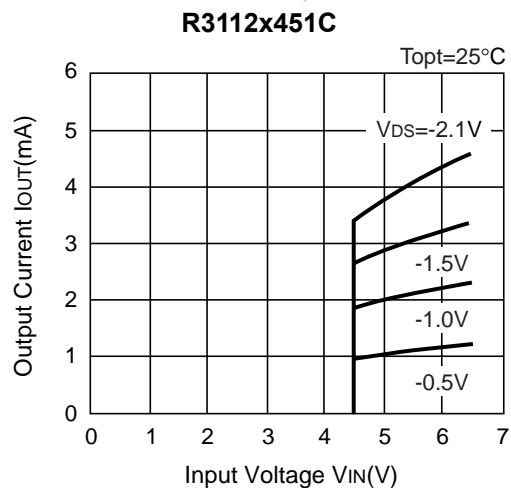
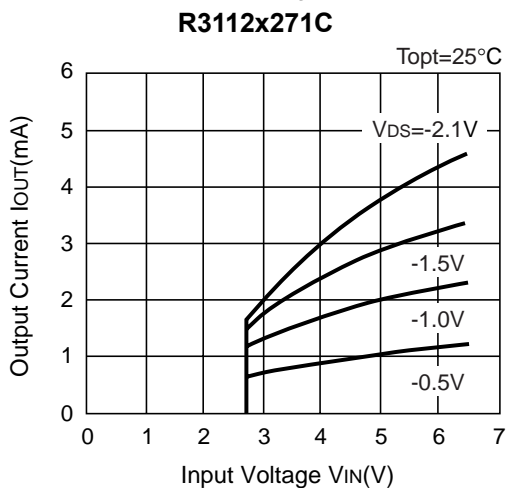
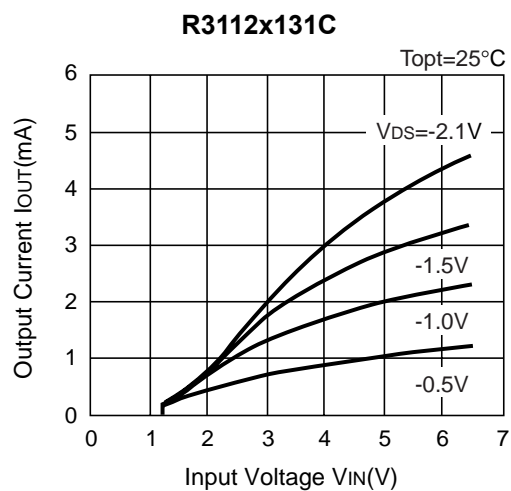
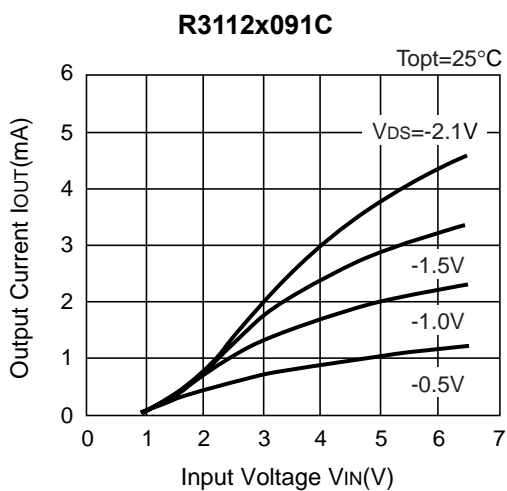




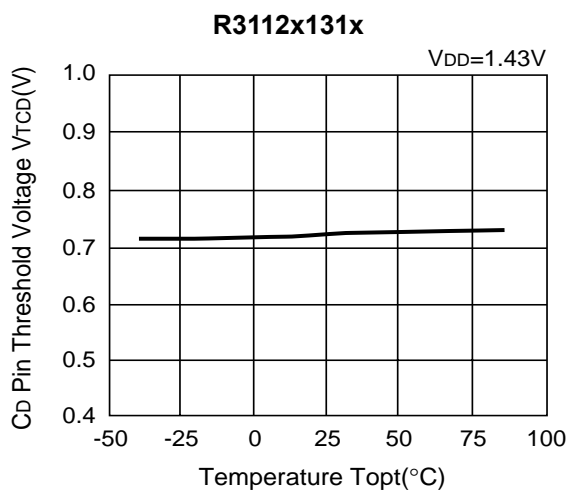
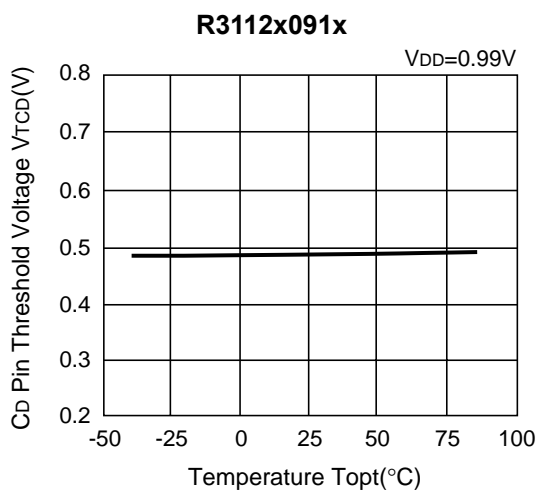
5) Nch Driver Output Current vs. Input Voltage

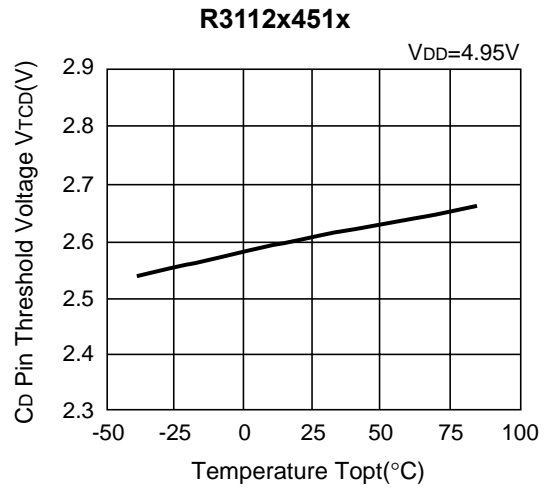
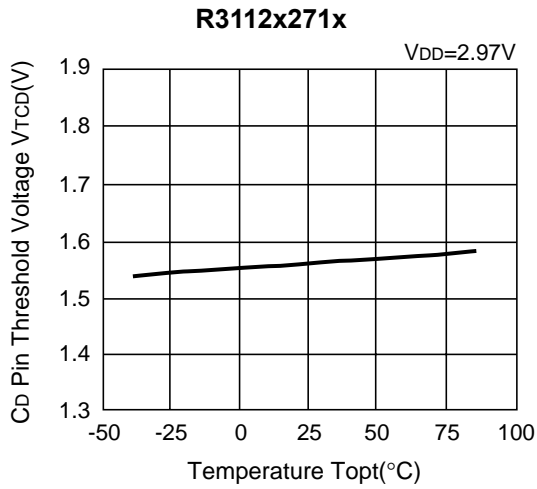


6) Pch Driver Output Current vs. Input Voltage

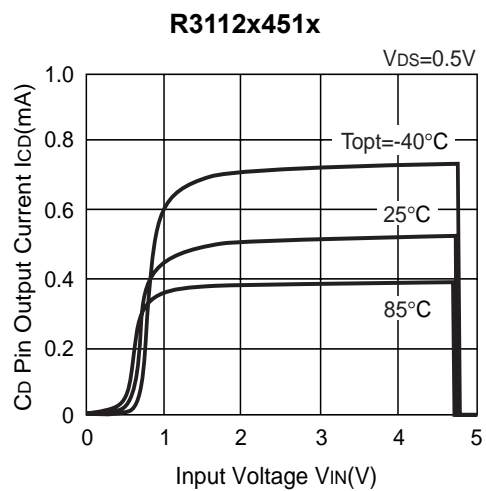
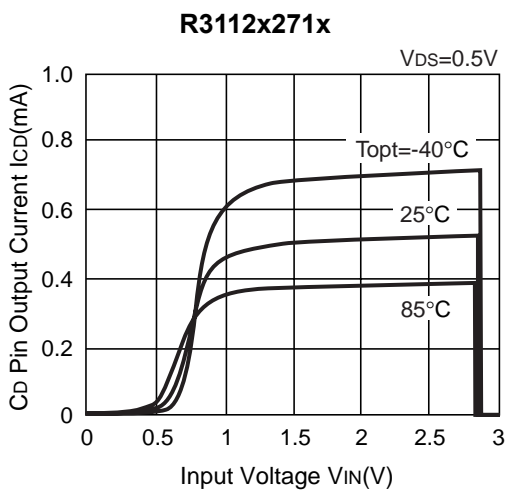
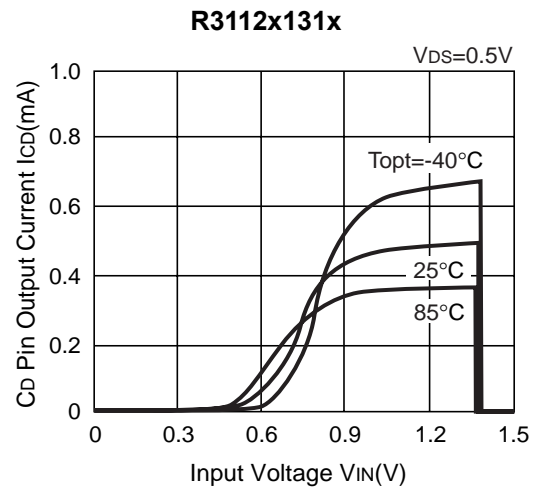
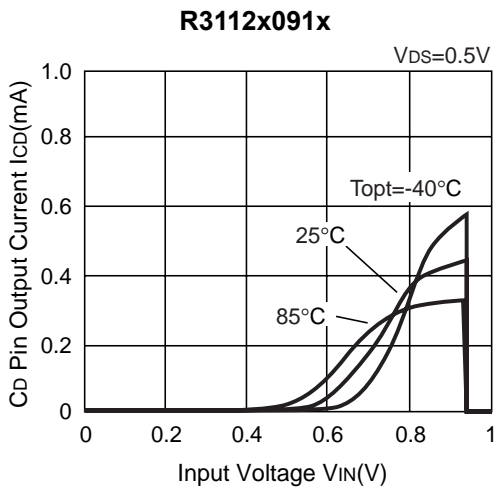


7) CD Pin Threshold Voltage vs. Temperature

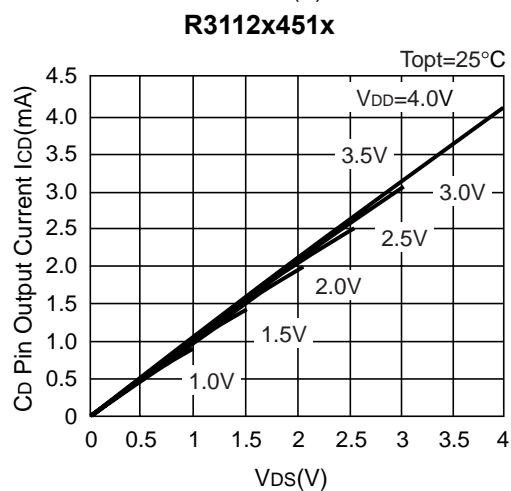
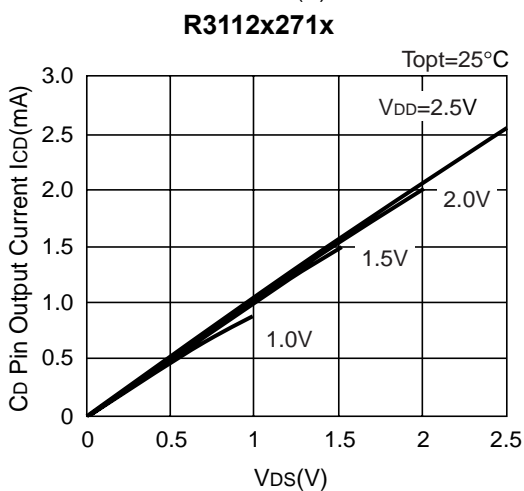
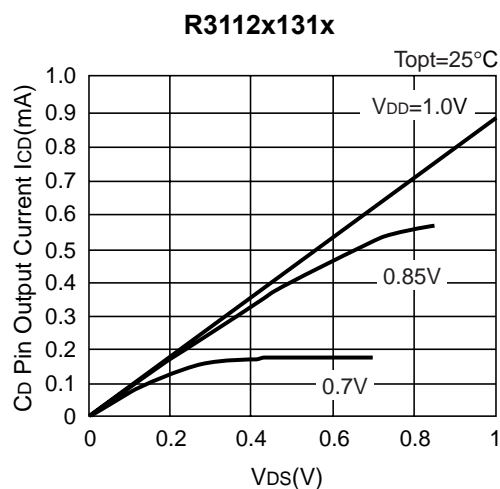
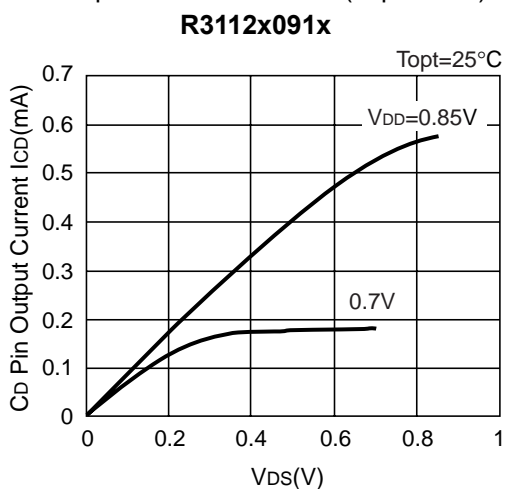




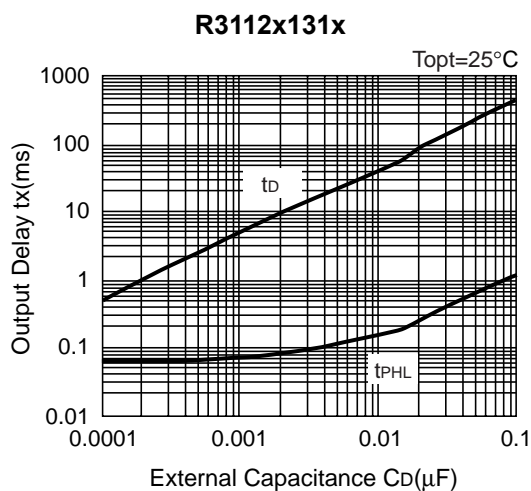
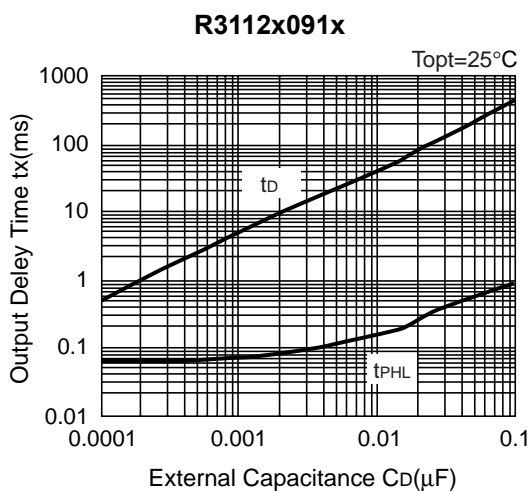
8) CD Pin Output Current vs. Input Voltage

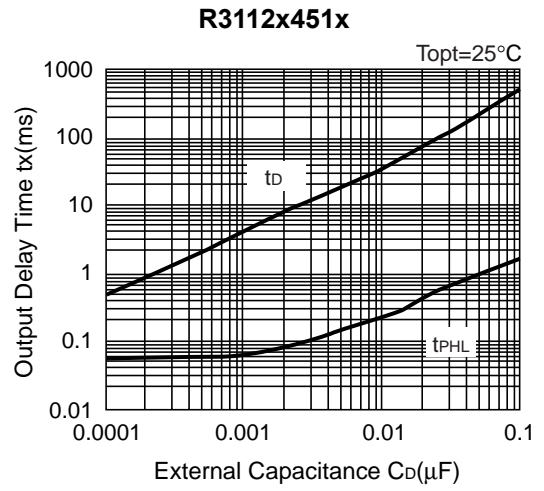
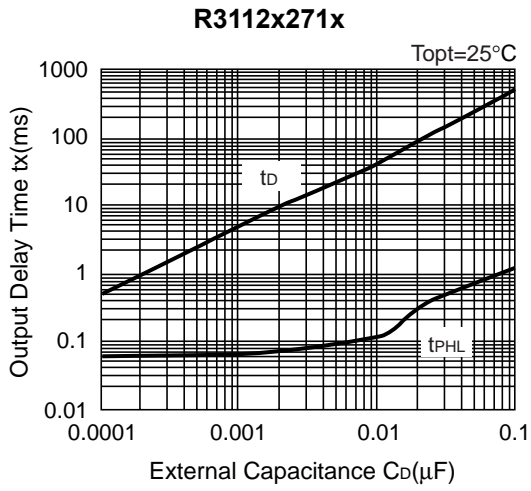


9) CD Pin Output Current vs. V_{DS} ($T_{opt}=25^{\circ}C$)

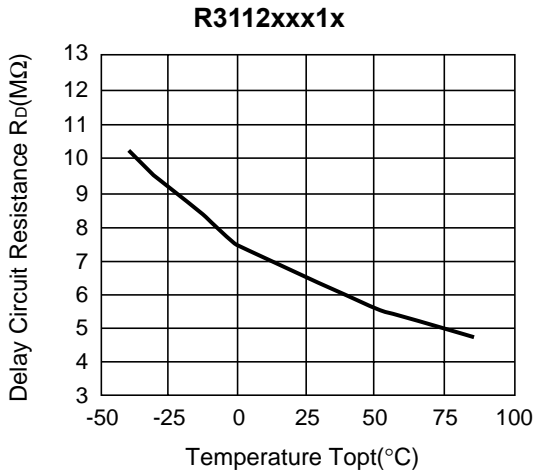


10) Output Delay Time vs. External Capacitance ($T_{opt}=25^{\circ}C$)





11) Delay Circuit Resistance vs. Temperature



TECHNICAL NOTES

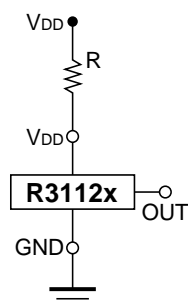


Figure A

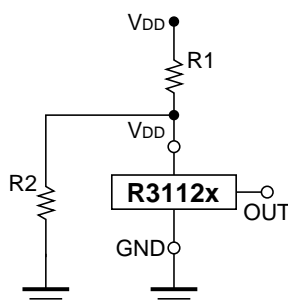


Figure B

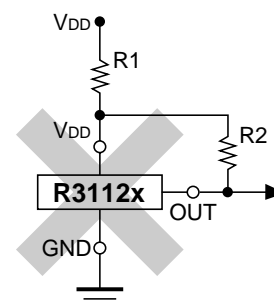


Figure C

When R3112xxx1A (Nch open drain output type) is used in Figure A or Figure B, if impedance of voltage supply pin, V_{DD} and V_{DD} of this IC is large, detector threshold level would shift by voltage dropdown caused by the consumption current of the IC itself. Released voltage may also shift and delay time for start-up might be generated by this usage.

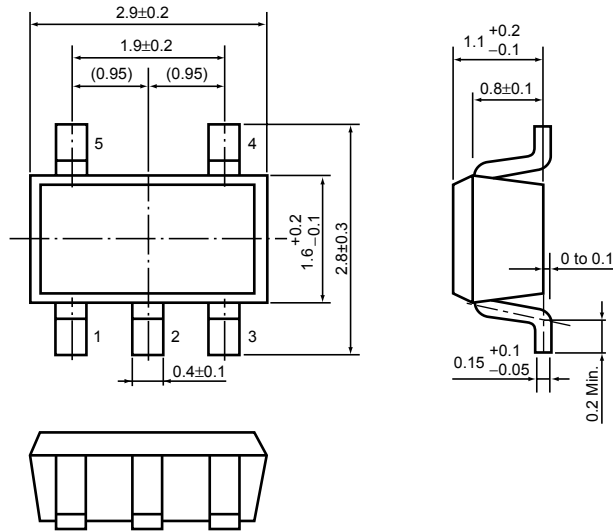
When R3112xxx1C (CMOS output type) is used in Figure A or Figure B, Output level could be unstable by cross conduction current which is generated at detector threshold level or at released voltage level, therefore, do not use R3112xxx1C with the connection in Figure A or Figure B.

The connection in Figure C may cause the oscillation in both R3112xxx1C (CMOS Output) and R3112xxx1A (Nch Open Drain Output), therefore do not use R3112xxx1x Series with the connection in Figure C.

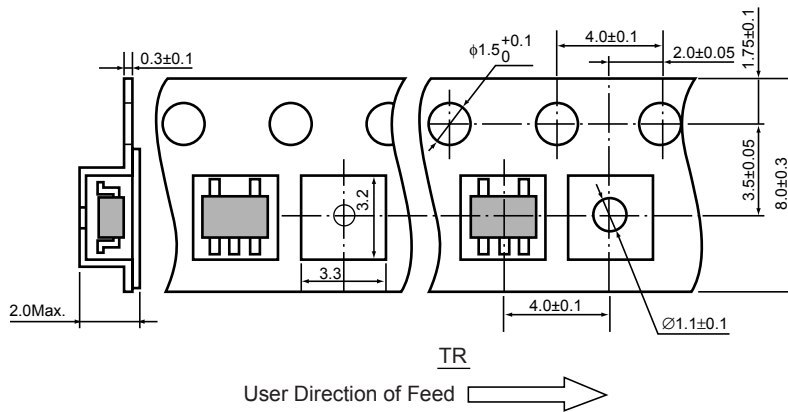
- SOT-23-5 (SC-74A)

Unit: mm

PACKAGE DIMENSIONS

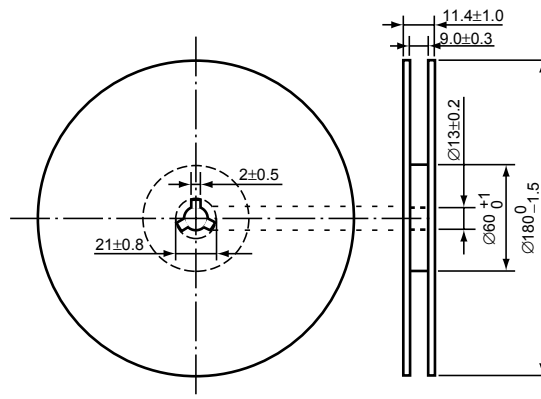


TAPING SPECIFICATION



TAPING REEL DIMENSIONS REUSE REEL (EIAJ-RRM-08Bc)

(1reel=3000pcs)



POWER DISSIPATION (SOT-23-5)

This specification is at mounted on board. Power Dissipation (P_D) depends on conditions of mounting on board.

This specification is based on the measurement at the condition below:

(Power Dissipation (SOT-23-5) is substitution of SOT-23-6.)

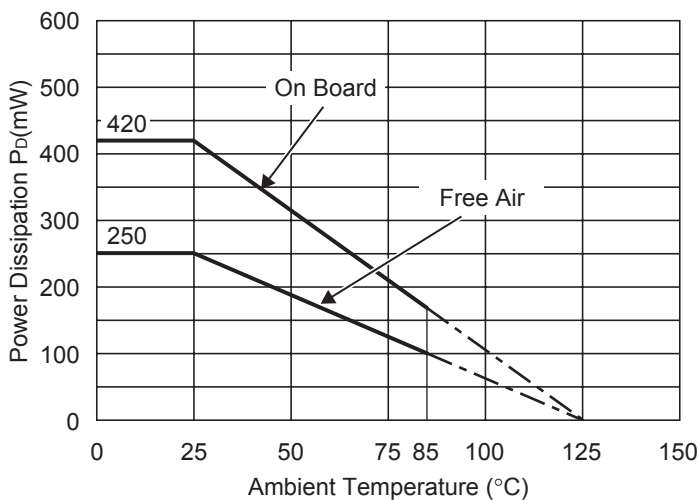
Measurement Conditions

	Standard Land Pattern
Environment	Mounting on Board (Wind velocity=0m/s)
Board Material	Glass cloth epoxy plactic (Double sided)
Board Dimensions	40mm × 40mm × 1.6mm
Copper Ratio	Top side : Approx. 50% , Back side : Approx. 50%
Through-hole	φ0.5mm × 44pcs

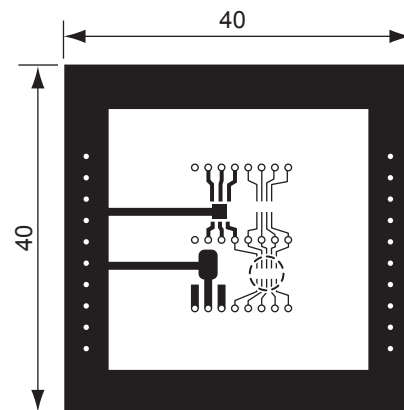
Measurement Result

($T_{opt}=25^{\circ}C, T_{jmax}=125^{\circ}C$)

	Standard Land Pattern	Free Air
Power Dissipation	420mW	250mW
Thermal Resistance	$\theta_{ja}=(125-25^{\circ}C)/0.42W=263^{\circ}C/W$	400 $^{\circ}C/W$



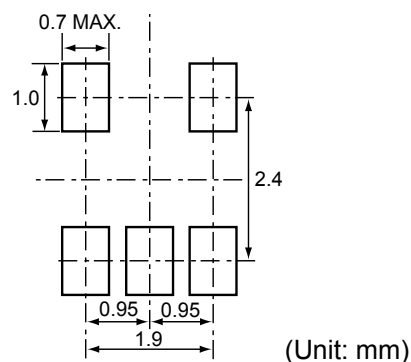
Power Dissipation



Measurement Board Pattern

○ IC Mount Area Unit : mm

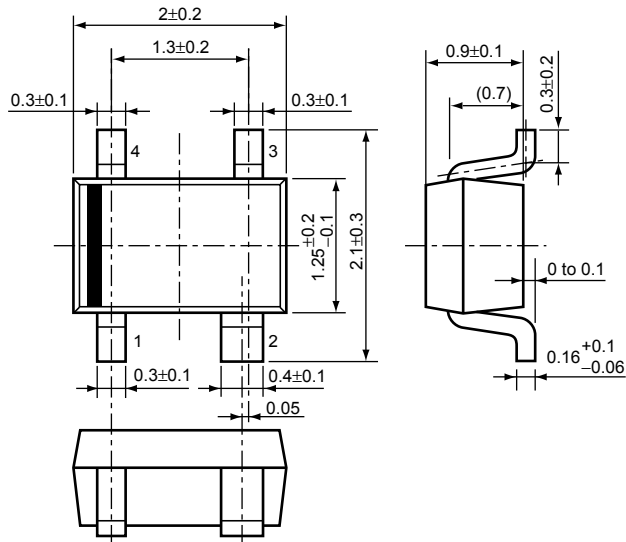
RECOMMENDED LAND PATTERN



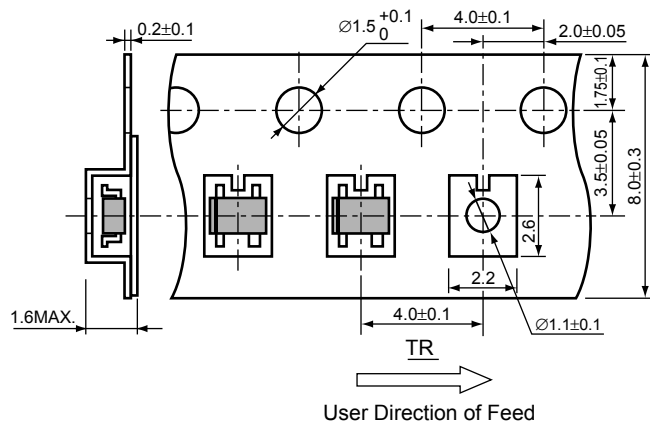
• SC-82AB

Unit: mm

PACKAGE DIMENSIONS

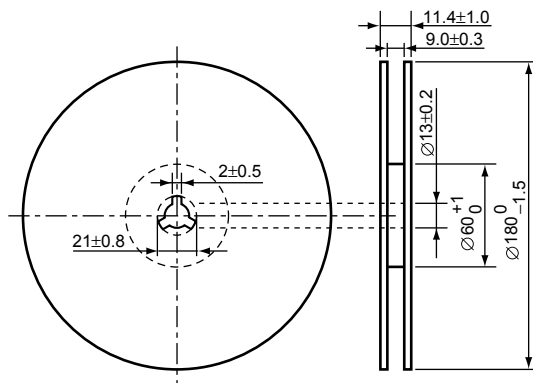


TAPING SPECIFICATION



TAPING REEL DIMENSIONS

(1reel=3000pcs)



POWER DISSIPATION (SC-82AB)

This specification is at mounted on board. Power Dissipation (P_D) depends on conditions of mounting on board. This specification is based on the measurement at the condition below:

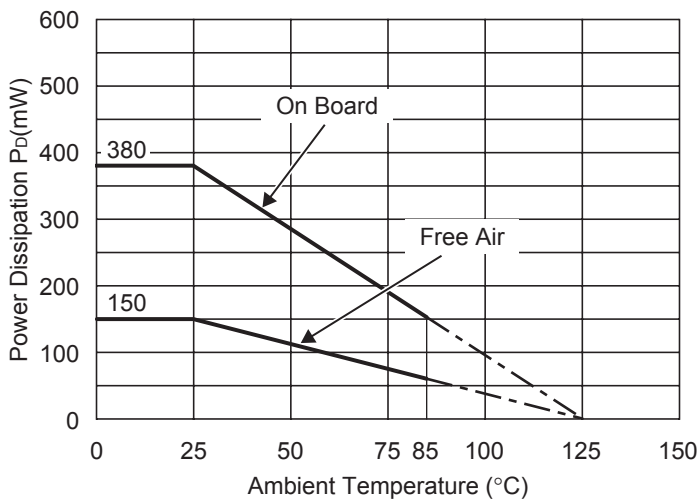
Measurement Conditions

	Standard Land Pattern
Environment	Mounting on Board (Wind velocity=0m/s)
Board Material	Glass cloth epoxy plactic (Double sided)
Board Dimensions	40mm × 40mm × 1.6mm
Copper Ratio	Top side : Approx. 50% , Back side : Approx. 50%
Through-hole	φ0.5mm × 44pcs

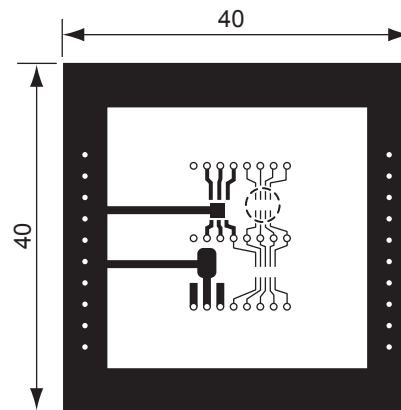
Measurement Result

($T_{opt}=25^{\circ}C, T_{jmax}=125^{\circ}C$)

	Standard Land Pattern	Free Air
Power Dissipation	380mW	150mW
Thermal Resistance	$\theta_{ja}=(125-25^{\circ}C)/0.38W=263^{\circ}C/W$	667 $^{\circ}C/W$



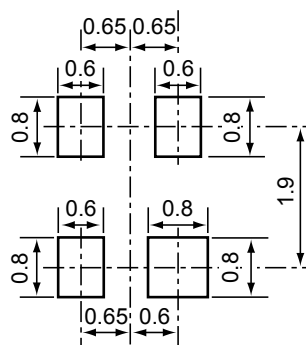
Power Dissipation



Measurement Board Pattern

○ IC Mount Area (Unit : mm)

RECOMMENDED LAND PATTERN

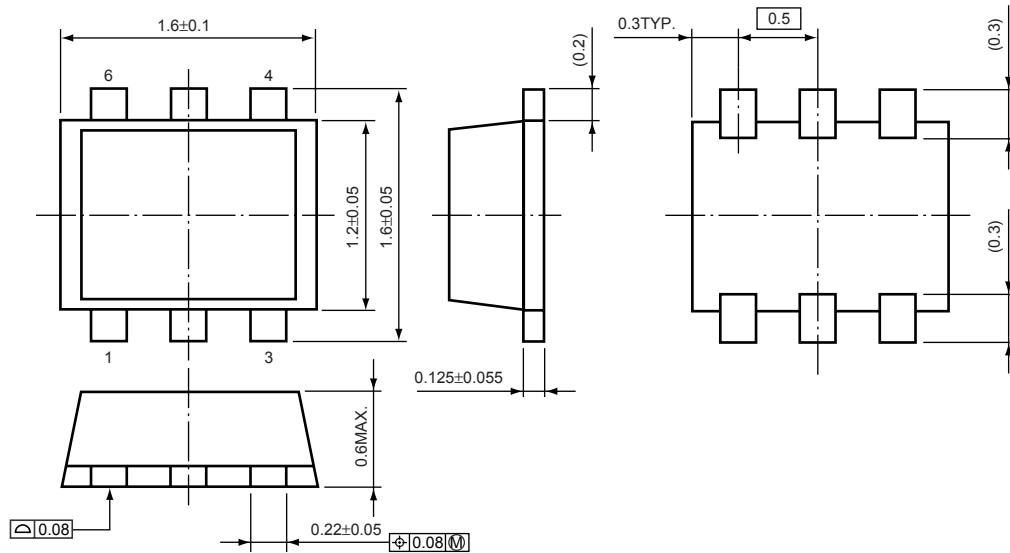


(Unit: mm)

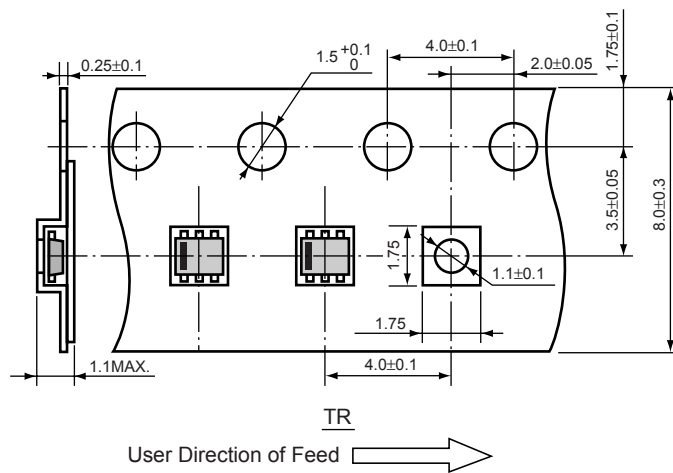
• SON1612-6

Unit: mm

PACKAGE DIMENSIONS

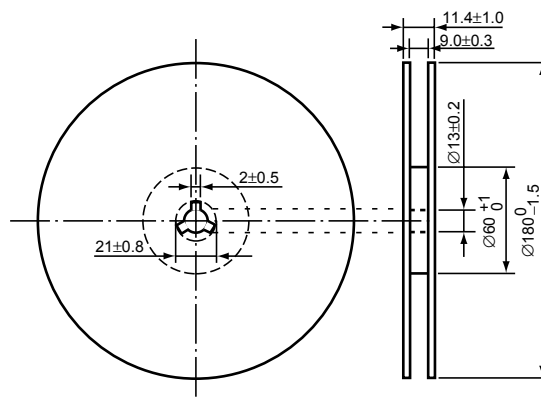


TAPING SPECIFICATION



TAPING REEL DIMENSIONS

(1reel=4000pcs)



Power Dissipation (SON1612-6)

This specification is at mounted on board.

Power Dissipation (P_D) depends on conditions of mounting on board. This specification is based on the measurement at the condition below:

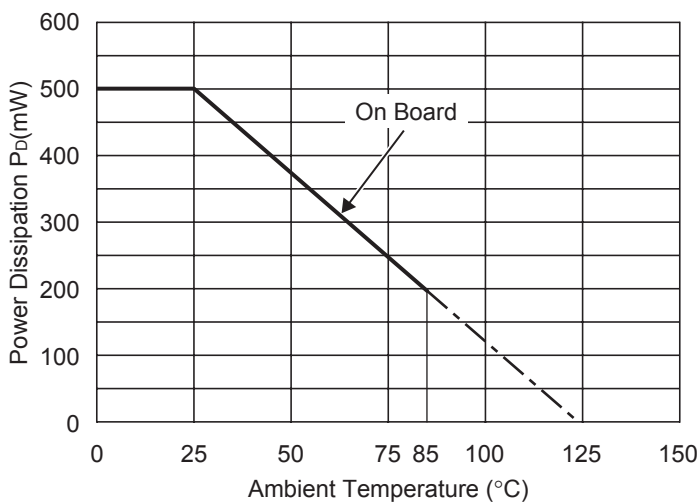
Measurement Conditions

	Standard Land Pattern
Environment	Mounting on Board (Wind velocity=0m/s)
Board Material	Glass cloth epoxy plastic (Double sided)
Board Dimensions	40mm × 40mm × 1.6mm
Copper Ratio	Top side : Approx. 50%, Back side : Approx.50%
Through-hole	φ0.5mm × 24pcs

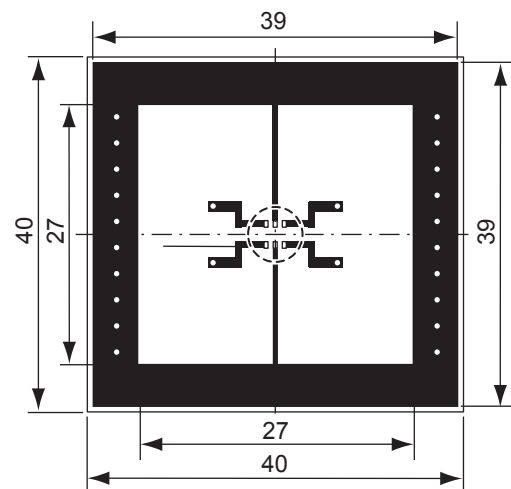
Measurement Result

($T_{opt}=25^{\circ}C, T_{jmax}=125^{\circ}C$)

	Standard Land Pattern
Power Dissipation	500mW
Thermal Resistance	$\theta_{ja}=(125-25^{\circ}C)/0.5W=200^{\circ}C/W$



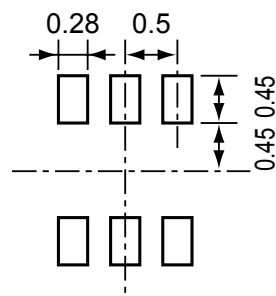
Power Dissipation



Measurement Board Pattern

○ IC Mount Area Unit : mm

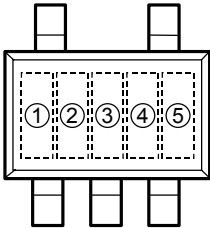
RECOMMENDED LAND PATTERN



(Unit: mm)

R3112N SERIES MARK SPECIFICATION

• SOT-23-5 (SC-74A)



- ①, ②, ③ : Product Code (refer to Part Number vs. Product Code)
- ④, ⑤ : Lot Number

• Part Number vs. Product Code

Part Number	Product Code		
	①	②	③
R3112N091A	2	0	9
R3112N101A	2	1	0
R3112N111A	2	1	1
R3112N121A	2	1	2
R3112N131A	2	1	3
R3112N141A	2	1	4
R3112N151A	2	1	5
R3112N161A	2	1	6
R3112N171A	2	1	7
R3112N181A	2	1	8
R3112N191A	2	1	9
R3112N201A	2	2	0
R3112N211A	2	2	1
R3112N221A	2	2	2
R3112N231A	2	2	3
R3112N241A	2	2	4
R3112N251A	2	2	5
R3112N261A	2	2	6
R3112N271A	2	2	7
R3112N281A	2	2	8
R3112N291A	2	2	9

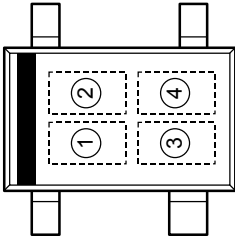
Part Number	Product Code		
	①	②	③
R3112N301A	2	3	0
R3112N311A	2	3	1
R3112N321A	2	3	2
R3112N331A	2	3	3
R3112N341A	2	3	4
R3112N351A	2	3	5
R3112N361A	2	3	6
R3112N371A	2	3	7
R3112N381A	2	3	8
R3112N391A	2	3	9
R3112N401A	2	4	0
R3112N411A	2	4	1
R3112N421A	2	4	2
R3112N431A	2	4	3
R3112N441A	2	4	4
R3112N451A	2	4	5
R3112N461A	2	4	6
R3112N471A	2	4	7
R3112N481A	2	4	8
R3112N491A	2	4	9
R3112N501A	2	5	0

Part Number	Product Code		
	①	②	③
R3112N091C	3	0	9
R3112N101C	3	1	0
R3112N111C	3	1	1
R3112N121C	3	1	2
R3112N131C	3	1	3
R3112N141C	3	1	4
R3112N151C	3	1	5
R3112N161C	3	1	6
R3112N171C	3	1	7
R3112N181C	3	1	8
R3112N191C	3	1	9
R3112N201C	3	2	0
R3112N211C	3	2	1
R3112N221C	3	2	2
R3112N231C	3	2	3
R3112N241C	3	2	4
R3112N251C	3	2	5
R3112N261C	3	2	6
R3112N271C	3	2	7
R3112N281C	3	2	8
R3112N291C	3	2	9

Part Number	Product Code		
	①	②	③
R3112N301C	3	3	0
R3112N311C	3	3	1
R3112N321C	3	3	2
R3112N331C	3	3	3
R3112N341C	3	3	4
R3112N351C	3	3	5
R3112N361C	3	3	6
R3112N371C	3	3	7
R3112N381C	3	3	8
R3112N391C	3	3	9
R3112N401C	3	4	0
R3112N411C	3	4	1
R3112N421C	3	4	2
R3112N431C	3	4	3
R3112N441C	3	4	4
R3112N451C	3	4	5
R3112N461C	3	4	6
R3112N471C	3	4	7
R3112N481C	3	4	8
R3112N491C	3	4	9
R3112N501C	3	5	0

R3112Q SERIES MARK SPECIFICATION

• SC-82AB



①, ② : Product Code (refer to Part Number vs. Product Code)

③, ④ : Lot Number

• Part Number vs. Product Code

Part Number	Product Code	
	①	②
R3112Q091A	A	K
R3112Q101A	B	A
R3112Q111A	B	B
R3112Q121A	B	C
R3112Q131A	B	D
R3112Q141A	B	E
R3112Q151A	B	F
R3112Q161A	B	G
R3112Q171A	B	H
R3112Q181A	B	J
R3112Q191A	B	K
R3112Q201A	C	A
R3112Q211A	C	B
R3112Q221A	C	C
R3112Q231A	C	D
R3112Q241A	C	E
R3112Q251A	C	F
R3112Q261A	C	G
R3112Q271A	C	H
R3112Q281A	C	J
R3112Q291A	C	K

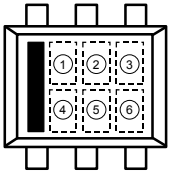
Part Number	Product Code	
	①	②
R3112Q301A	D	A
R3112Q311A	D	B
R3112Q321A	D	C
R3112Q331A	D	D
R3112Q341A	D	E
R3112Q351A	D	F
R3112Q361A	D	G
R3112Q371A	D	H
R3112Q381A	D	J
R3112Q391A	D	K
R3112Q401A	E	A
R3112Q411A	E	B
R3112Q421A	E	C
R3112Q431A	E	D
R3112Q441A	E	E
R3112Q451A	E	F
R3112Q461A	E	G
R3112Q471A	E	H
R3112Q481A	E	J
R3112Q491A	E	K
R3112Q501A	W	A

Part Number	Product Code	
	①	②
R3112Q091C	A	V
R3112Q101C	B	L
R3112Q111C	B	M
R3112Q121C	B	N
R3112Q131C	B	P
R3112Q141C	B	Q
R3112Q151C	B	R
R3112Q161C	B	S
R3112Q171C	B	T
R3112Q181C	B	U
R3112Q191C	B	V
R3112Q201C	C	L
R3112Q211C	C	M
R3112Q221C	C	N
R3112Q231C	C	P
R3112Q241C	C	Q
R3112Q251C	C	R
R3112Q261C	C	S
R3112Q271C	C	T
R3112Q281C	C	U
R3112Q291C	C	V

Part Number	Product Code	
	①	②
R3112Q301C	D	L
R3112Q311C	D	M
R3112Q321C	D	N
R3112Q331C	D	P
R3112Q341C	D	Q
R3112Q351C	D	R
R3112Q361C	D	S
R3112Q371C	D	T
R3112Q381C	D	U
R3112Q391C	D	V
R3112Q401C	E	L
R3112Q411C	E	M
R3112Q421C	E	N
R3112Q431C	E	P
R3112Q441C	E	Q
R3112Q451C	E	R
R3112Q461C	E	S
R3112Q471C	E	T
R3112Q481C	E	U
R3112Q491C	E	V
R3112Q501C	W	L

R3112D SERIES MARK SPECIFICATION

● SON1612-6



①~④ : Product Code (refer to Part Number vs. Product Code)

⑤, ⑥ : Lot Number

● Part Number vs. Product Code

Part Number	Product Code			
	①	②	③	④
R3112D091A	B	0	9	A
R3112D101A	B	1	0	A
R3112D111A	B	1	1	A
R3112D121A	B	1	2	A
R3112D131A	B	1	3	A
R3112D141A	B	1	4	A
R3112D151A	B	1	5	A
R3112D161A	B	1	6	A
R3112D171A	B	1	7	A
R3112D181A	B	1	8	A
R3112D191A	B	1	9	A
R3112D201A	B	2	0	A
R3112D211A	B	2	1	A
R3112D221A	B	2	2	A
R3112D231A	B	2	3	A
R3112D241A	B	2	4	A
R3112D251A	B	2	5	A
R3112D261A	B	2	6	A
R3112D271A	B	2	7	A
R3112D281A	B	2	8	A
R3112D291A	B	2	9	A

Part Number	Product Code			
	①	②	③	④
R3112D301A	B	3	0	A
R3112D311A	B	3	1	A
R3112D321A	B	3	2	A
R3112D331A	B	3	3	A
R3112D341A	B	3	4	A
R3112D351A	B	3	5	A
R3112D361A	B	3	6	A
R3112D371A	B	3	7	A
R3112D381A	B	3	8	A
R3112D391A	B	3	9	A
R3112D401A	B	4	0	A
R3112D411A	B	4	1	A
R3112D421A	B	4	2	A
R3112D431A	B	4	3	A
R3112D441A	B	4	4	A
R3112D451A	B	4	5	A
R3112D461A	B	4	6	A
R3112D471A	B	4	7	A
R3112D481A	B	4	8	A
R3112D491A	B	4	9	A
R3112D501A	B	5	0	A

Part Number	Product Code			
	①	②	③	④
R3112D091C	B	0	9	C
R3112D101C	B	1	0	C
R3112D111C	B	1	1	C
R3112D121C	B	1	2	C
R3112D131C	B	1	3	C
R3112D141C	B	1	4	C
R3112D151C	B	1	5	C
R3112D161C	B	1	6	C
R3112D171C	B	1	7	C
R3112D181C	B	1	8	C
R3112D191C	B	1	9	C
R3112D201C	B	2	0	C
R3112D211C	B	2	1	C
R3112D221C	B	2	2	C
R3112D231C	B	2	3	C
R3112D241C	B	2	4	C
R3112D251C	B	2	5	C
R3112D261C	B	2	6	C
R3112D271C	B	2	7	C
R3112D281C	B	2	8	C
R3112D291C	B	2	9	C

Part Number	Product Code			
	①	②	③	④
R3112D301C	A	3	0	C
R3112D311C	A	3	1	C
R3112D321C	A	3	2	C
R3112D331C	A	3	3	C
R3112D341C	A	3	4	C
R3112D351C	A	3	5	C
R3112D361C	A	3	6	C
R3112D371C	A	3	7	C
R3112D381C	A	3	8	C
R3112D391C	A	3	9	C
R3112D401C	A	4	0	C
R3112D411C	A	4	1	C
R3112D421C	A	4	2	C
R3112D431C	A	4	3	C
R3112D441C	A	4	4	C
R3112D451C	A	4	5	C
R3112D461C	A	4	6	C
R3112D471C	A	4	7	C
R3112D481C	A	4	8	C
R3112D491C	A	4	9	C
R3112D501C	A	5	0	C